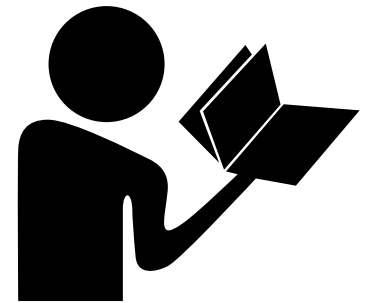
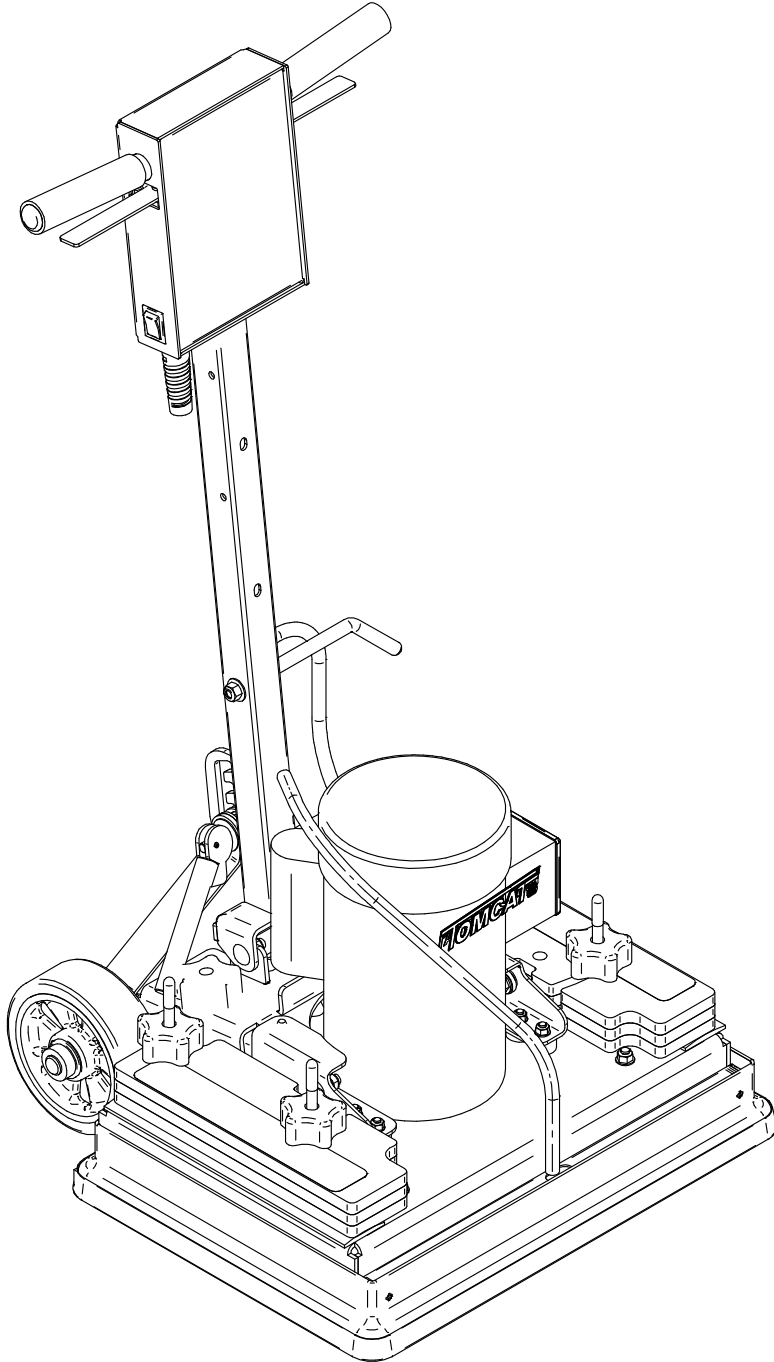


TOMCAT®

ISO

Parts Manual (EN)



Read Operation Instructions
before using the machine.



Read the Safety Messages
before using the machine.

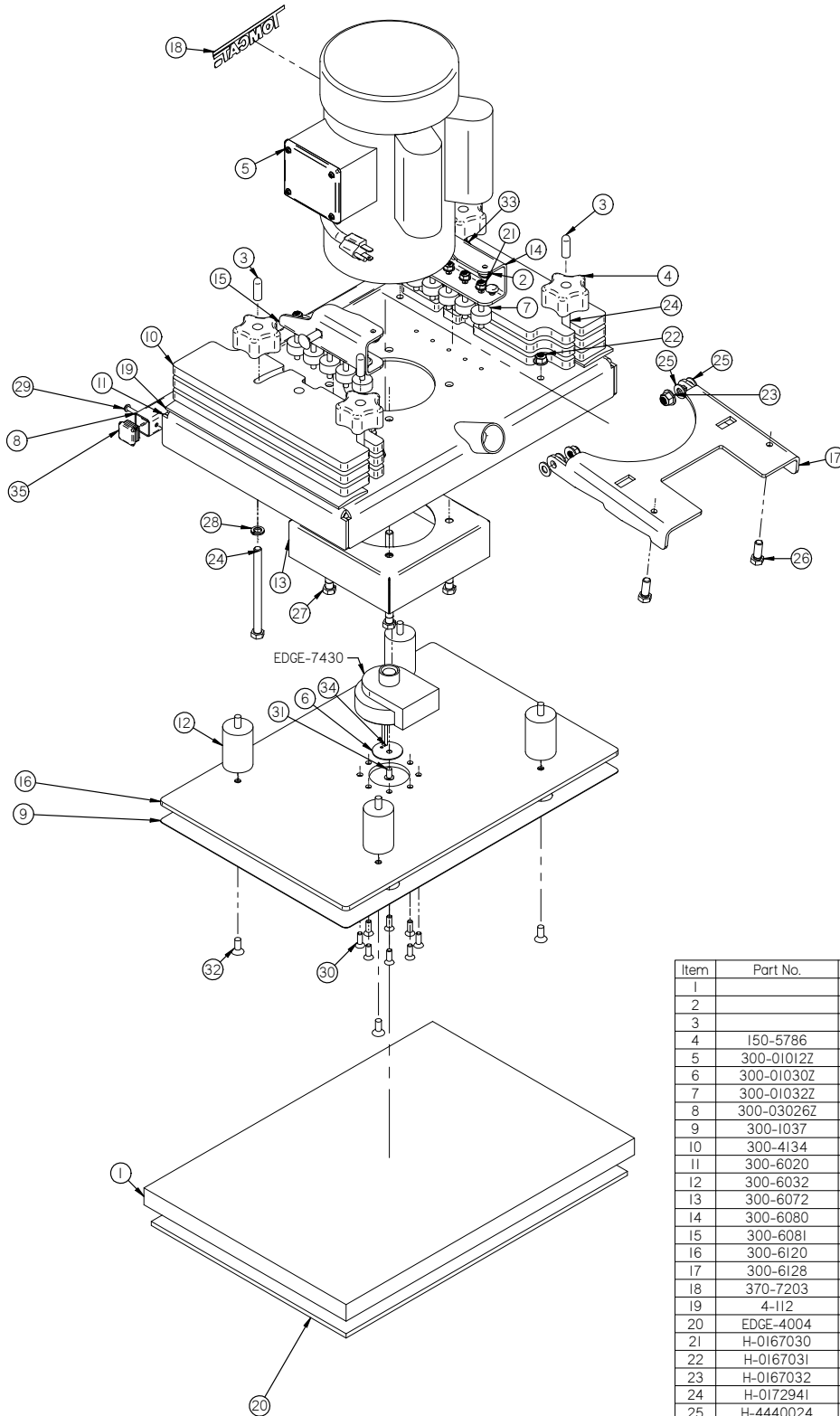
www.tomcatequip.com
1711 South Street
Racine, WI 53404 (USA)
(800) 450-9824 | (001) 262-681-6470
© 2019 RPS Corporation

Scan With Phone for more Information



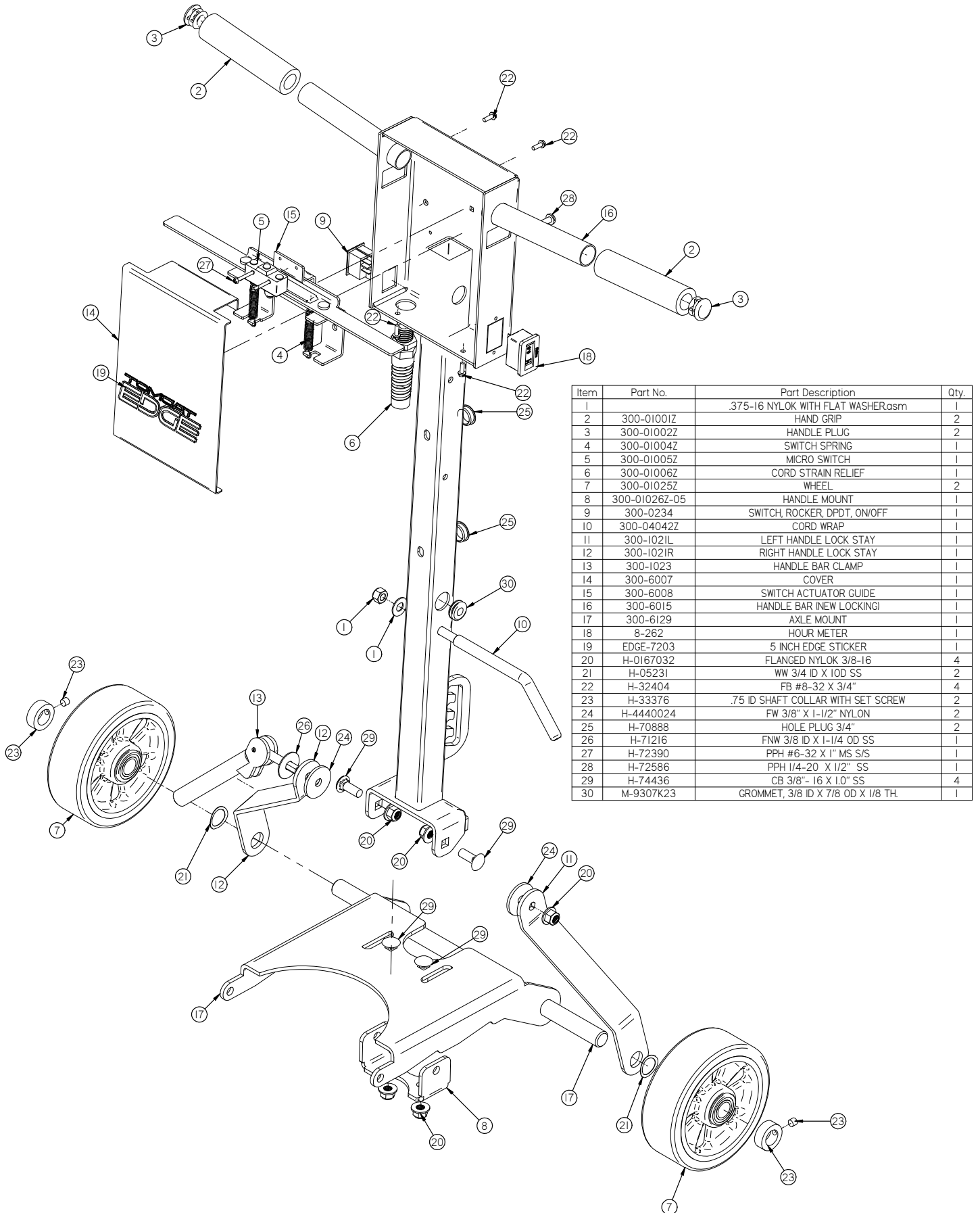
V19.226
TC-EDGEISO-P-EN

Scrub Deck	4
Handle Bar.....	5
Attaching Handlebar	6
Common Wear Parts	7

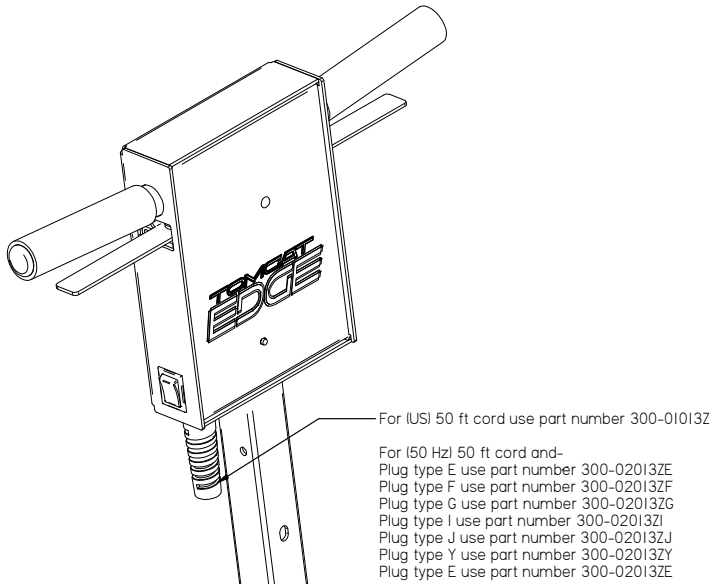


Item	Part No.	Part Description	Qty.
1		PAD	1
2		PUSH IN BUMPER	4
3		THREAD CAP	4
4	150-5786	STAR KNOB, 3/8-16 THREAD	4
5	300-01012Z	MOTOR	1
6	300-01030Z	CRUSH WASHER	1
7	300-01032Z	RUBBER ISOLATOR	10
8	300-03026Z	SOLUTION FEED TUBE (20")	1
9	300-1037	20 INCH VELCRO GRIP FACE	1
10	300-4134	6.0 LB 20 INCH AC DECK WEIGHT	6
11	300-6020	20" EDGE FRAME	1
12	300-6032	1-1/2X2-1/4X5/16-18 (50DI) ISOLATOR	4
13	300-6072	DUST SHIELD	1
14	300-6080	IRHI MOUNTING BRACKET	1
15	300-6081	ILHI MOUNTING BRACKET	1
16	300-6120	20 INCH ALUMINUM PAD DRIVER	1
17	300-6128	MOUNTING BRACKET	1
18	370-7203	TOMCAT STICKER	1
19	4-112	2" BLK STRIP BUMPER	2
20	EDGE-4004	RED PAD 14" X 20"	1
21	H-0167030	FLANGED NYLOK 1/4-20	10
22	H-0167031	FLANGED NYLOK 5/16-18	4
23	H-0167032	FLANGED NYLOK 3/8-16	2
24	H-0172941	HCS 3/8"- 16 X 5" FULL THREAD SS	4
25	H-4440024	FW 3/8" X 3/4 NYLON	4
26	H-70105	HB 3/8"- 16 X 1" SS	2
27	H-70107	HCS 3/8"- 16 X 1-1/4" SS	4
28	H-71067	LW 3/8" SS	4
29	H-72554	PPH #10-32 X 1-1/2"	2
30	H-72708	FHP 1/4"- 20 X 3/4"	8
31	H-73752	BHSCS 1/4 - 20 X 1/2" SS	1
32	H-73907	FHSCS 5/16"- 18 X 3/4" SS	4
33	H-74436	CB 3/8"- 16 X 1.0" SS	2
34	H-K14320	3/16" X 1 1/4" KEY	1
35	M-9566K51	1.0 X 1.0 SQ TUBE PLUG	2

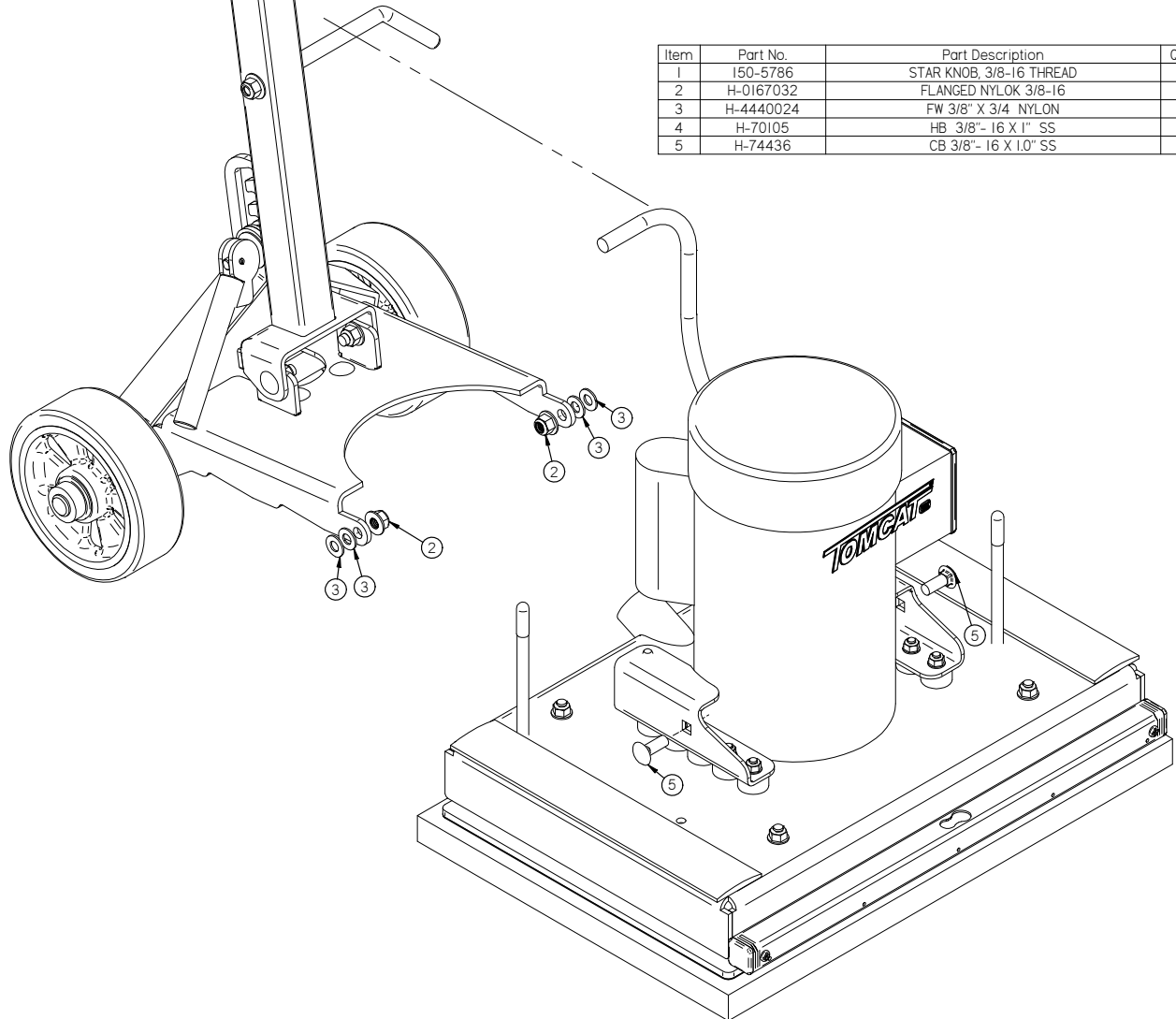
Handle Bar



Item	Part No.	Part Description	Qty.
1		.375-16 NYLOK WITH FLAT WASHER ^{asm}	1
2	300-01001Z	HAND GRIP	2
3	300-01002Z	HANDLE PLUG	2
4	300-01004Z	SWITCH SPRING	1
5	300-01005Z	MICRO SWITCH	1
6	300-01006Z	CORD STRAIN RELIEF	1
7	300-01025Z	WHEEL	2
8	300-01026Z-05	HANDLE MOUNT	1
9	300-0234	SWITCH, ROCKER, DPDT, ON/OFF	1
10	300-04042Z	CORD WRAP	1
11	300-1021L	LEFT HANDLE LOCK STAY	1
12	300-1021R	RIGHT HANDLE LOCK STAY	1
13	300-1023	HANDLE BAR CLAMP	1
14	300-6007	COVER	1
15	300-6008	SWITCH ACTUATOR GUIDE	1
16	300-6015	HANDLE BAR INEW LOCKING	1
17	300-6129	AXLE MOUNT	1
18	8-262	HOUR METER	1
19	EDGE-7203	5 INCH EDGE STICKER	1
20	H-0167032	FLANGED NYLOK 3/8-16	4
21	H-05231	WW 3/4 ID X 1.0D SS	2
22	H-32404	FB #8-32 X 3/4"	4
23	H-33376	.75 ID SHAFT COLLAR WITH SET SCREW	2
24	H-4440024	FW 3/8" X 1-1/2" NYLON	2
25	H-70888	HOLE PLUG 3/4"	2
26	H-71216	FNW 3/8 ID X 1-1/4 OD SS	1
27	H-72390	PPH #6-32 X 1" MS S/S	1
28	H-72586	PPH 1/4-20 X 1/2" SS	1
29	H-74436	CB 3/8" - 16 X 1.0" SS	4
30	M-9307K23	GROMMET, 3/8 ID X 7/8 OD X 1/8 TH.	1



Item	Part No.	Part Description	Qty.
1	I50-5786	STAR KNOB, 3/8-16 THREAD	2
2	H-0167032	FLANGED NYLOK 3/8-16	2
3	H-4440024	FW 3/8" X 3/4 NYLON	4
4	H-70105	HB 3/8"- 16 X 1" SS	2
5	H-74436	CB 3/8"- 16 X 1.0" SS	2



Common Wear Parts

EDGE PADS AND SCREENS:

DESCRIPTION	20"×14"
White Pad	EDGE-4005
Red Pad	EDGE-4004
Blue Pad	EDGE-4003
Green Pad	EDGE-4002
Black Pad	EDGE-4001
White Driver Pad	EDGE-4025
60 Grit Sand Screen	EDGE-4026
80 Grit Sand Screen	EDGE-4027
100 Grit Sand Screen	EDGE-4028
120 Grit Sand Screen	EDGE-4029
150 Grit Sand Screen	EDGE-4030
20 Grit Sand Paper	EDGE-4031
36 Grit Sand Paper	EDGE-4032
60 Grit Sand Paper	EDGE-4033
80 Grit Sand Paper	EDGE-4034
100 Grit Sand Paper	EDGE-4035
100 Grit Diamond Polishing Pad	EDGE-4012
400 Grit Diamond Polishing Pad	EDGE-4013
800 Grit Diamond Polishing Pad	EDGE-4014
1500 Grit Diamond Polishing Pad	EDGE-4015
3000 Grit Diamond Polishing Pad	EDGE-4016
6000 Grit Diamond Polishing Pad	EDGE-4070
Tile/Grout Renovator Pad	EDGE-4018
Microfiber Pad	EDGE-4036
Abrader Plate	EDGE-4011
Dominator HD Strip Pad	EDGE-4006
Maroon ECO Prep Pad	EDGE-4007
Remover Burnishing Pad	EDGE-4008
Porko Burnishing Pad	EDGE-4017
Velcro Pad	300-4023

EDGE ISOLATOR REPLACEMENT KITS:

DESCRIPTION	PART NUMBER
Lower Deck Kit for ISO Machines	300-7217
Upper Bracket Kit for ISO Machines	300-7228

BLANK

THIS PAGE WAS INTENTIONALLY LEFT BLANK

TOMCAT[®]

1711 South Street
Racine, WI 53404
www.tomcatequip.com
Tel. US: 800-450-9824
Tel. Int: (001) 262-681-6470